

NOTES: ** (2) LUMABAR LIGHTING ** IN EACH COMPARTMENT

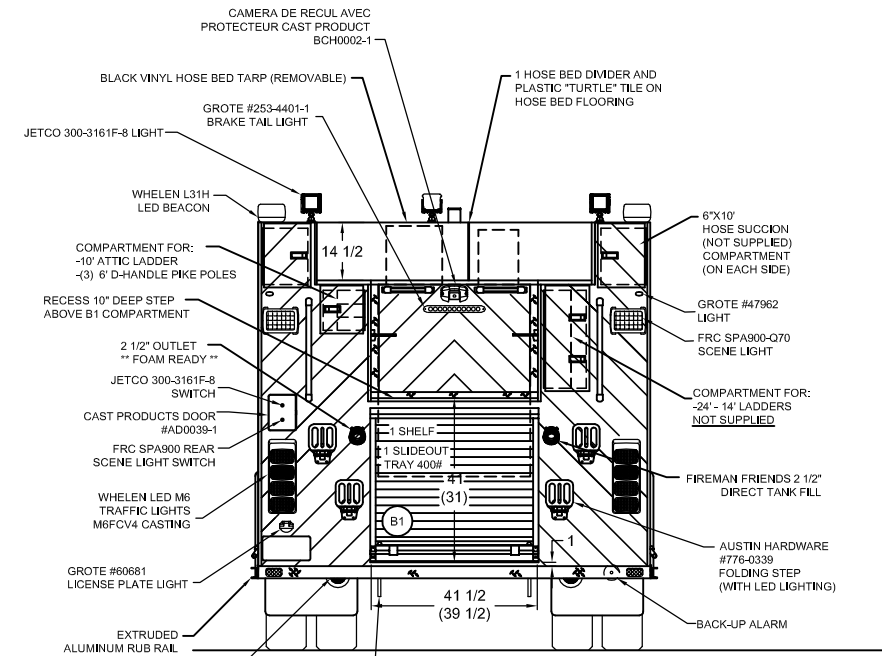
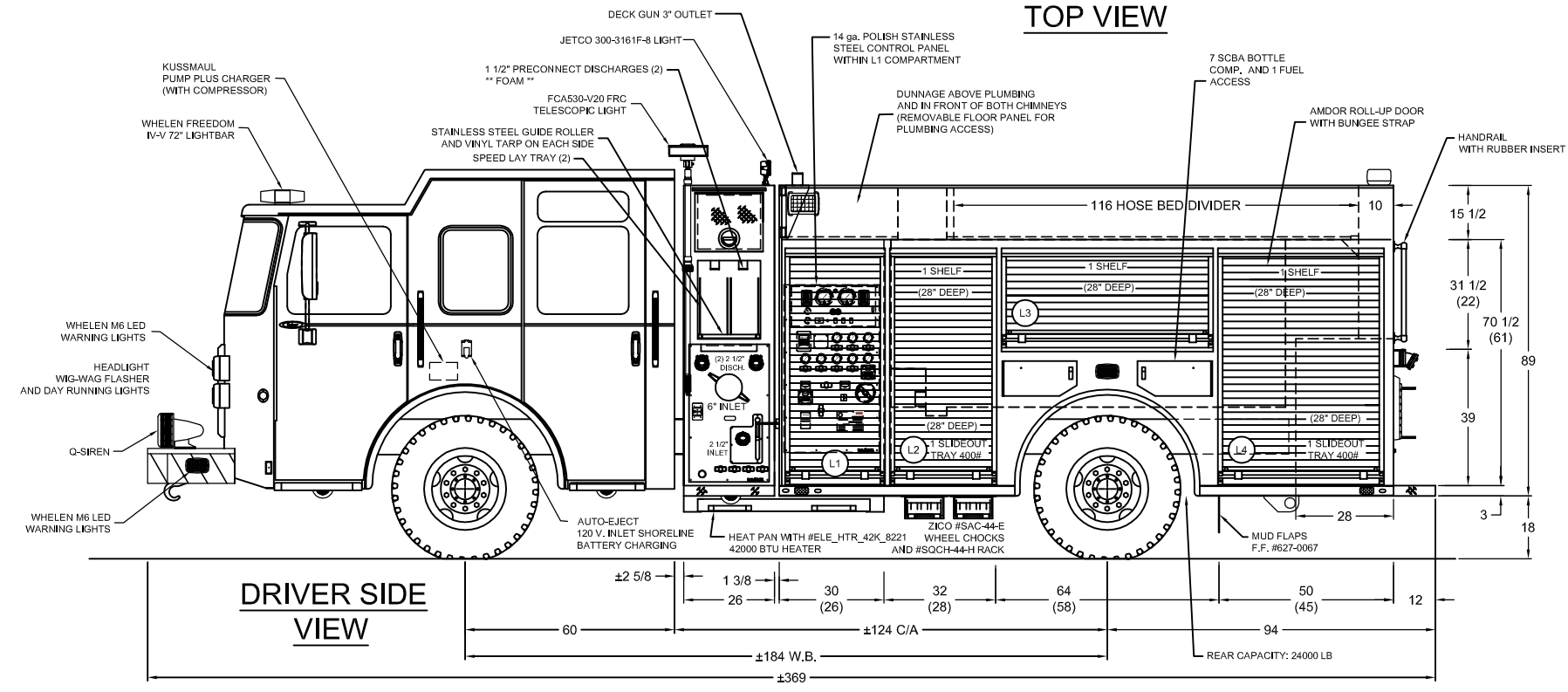
** LUMABAR AY-9220-32-C-0 (1) ** WITHIN PUMP HOUSE (PLUMBING AREA)

ALL COMPARTMENTS INTERIOR: ZOLATONE 20-64 PAINTED (INCLUDING SHELVES AND SLIDEOUT TRAYS)

NUMBERS BETWEEN PARENTHESIS: ESTIMATE OPENING

1500 GPM WATEROUS CXS PUMP + FOAMPRO 2001 FOAM SYSTEM

COPOLYMER BOOSTER TANK
 750 GAL. WATER (625 IMP. GAL.)
 30 GAL. FOAM (25 IMP. GAL.)



EN CAS DE DISPARITE ENTRE CE DESSIN ET LE DEVIS TECHNIQUE, LE DEVIS TECHNIQUE PREVAUDRA.
 IN CASE OF DISCREPANCY BETWEEN THIS DRAWING AND THE TECHNICAL SPECIFICATIONS, THE TECHNICAL SPECIFICATIONS SHALL PREVAIL.

ZONE	REV.	DESCRIPTION	DATE	APPROVED

DRAWN BY	NAME	DATE	 MAXIMETAL Optimized Intervention Vehicles 9345, 25th AVENUE SAINT-GEORGES (QUEBEC) G6A 1L1 PHONE NO.: 418 228-0637 1 800 510-6637 FAX NO.: 418 228-0493	 CERTIFIED ISO 9001:2008
CHECKED BY	D.BOLDUC	2017-01-21		
NOTE DIMENSIONS SHOWN ARE APPROXIMATE AND ARE SUBJECT TO MINOR DEVIATIONS AS MAY OCCUR OR BE NECESSARY IN CONSTRUCTION. MINOR DETAILS NOT SHOWN.			TITLE: INTERMEDIATE 750G. NARROW PUMP DRAWING NO.: MAXISABER WFR_R1 PROJECT: MAXISABER (INTERMEDIATE) SCALE: 1/4"=1'-0"	
PROPERTY AND CONFIDENTIALITY: THE INFORMATION IN THIS DRAWING IS CONFIDENTIAL AND PROPERTY OF MAXI-METAL INC. ANY COPY IS PROHIBITED WITHOUT OUR WRITTEN APPROVAL. ©			ANSII	