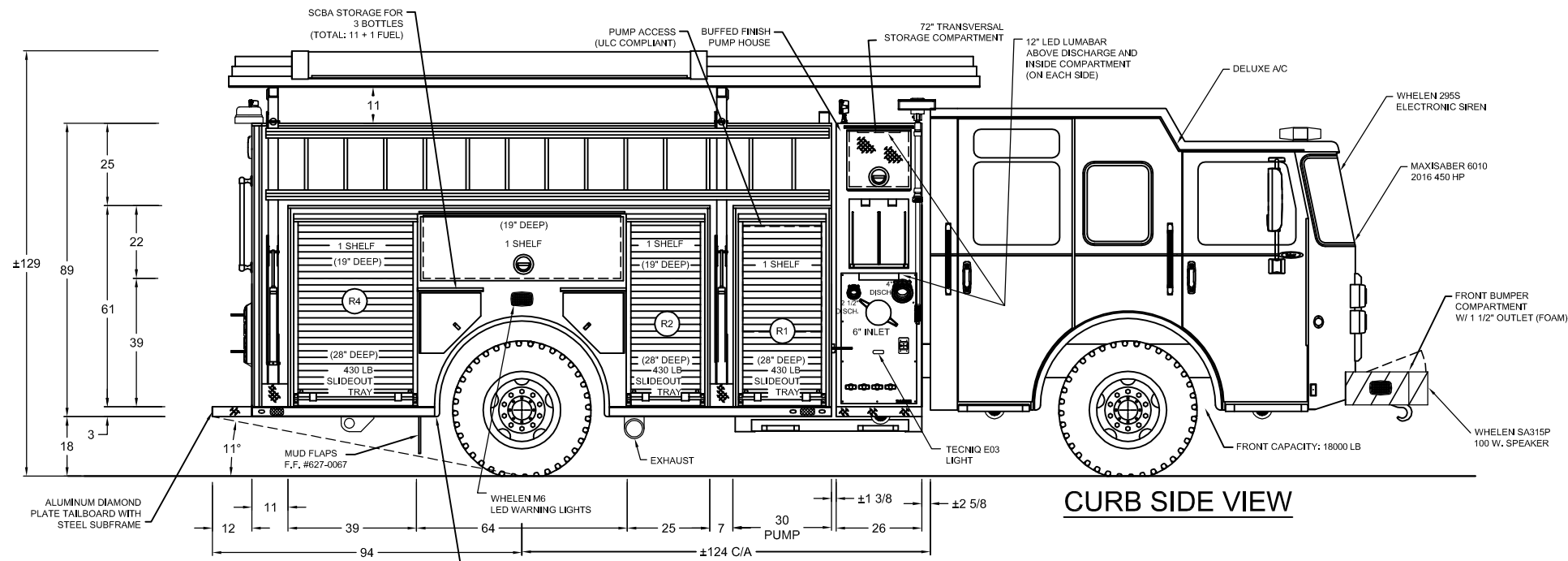


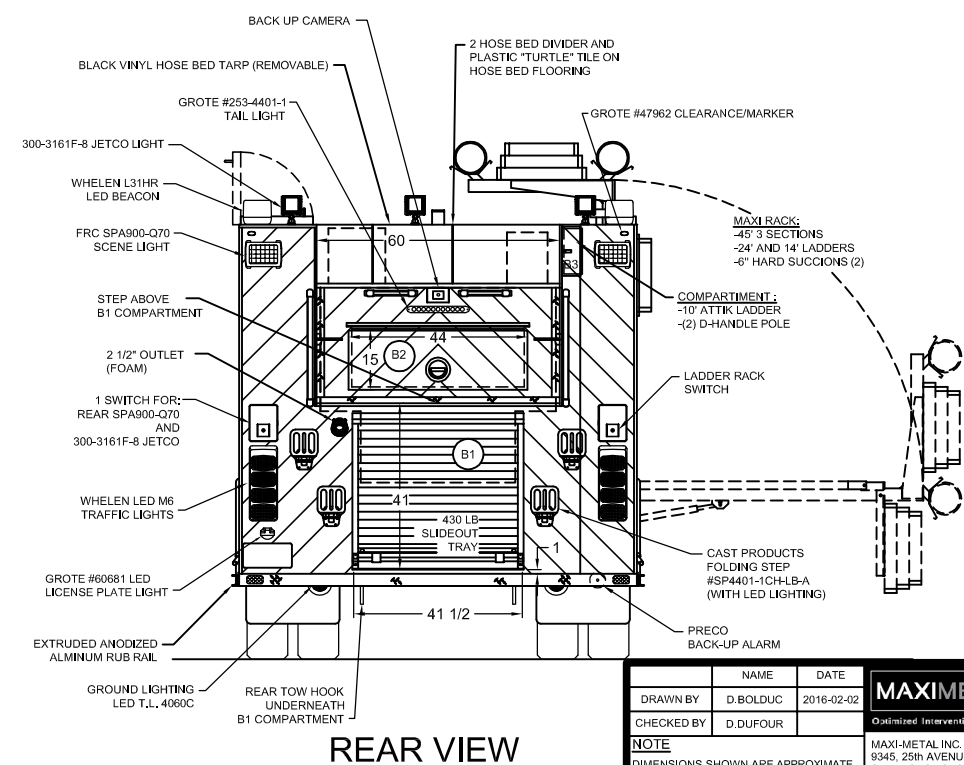
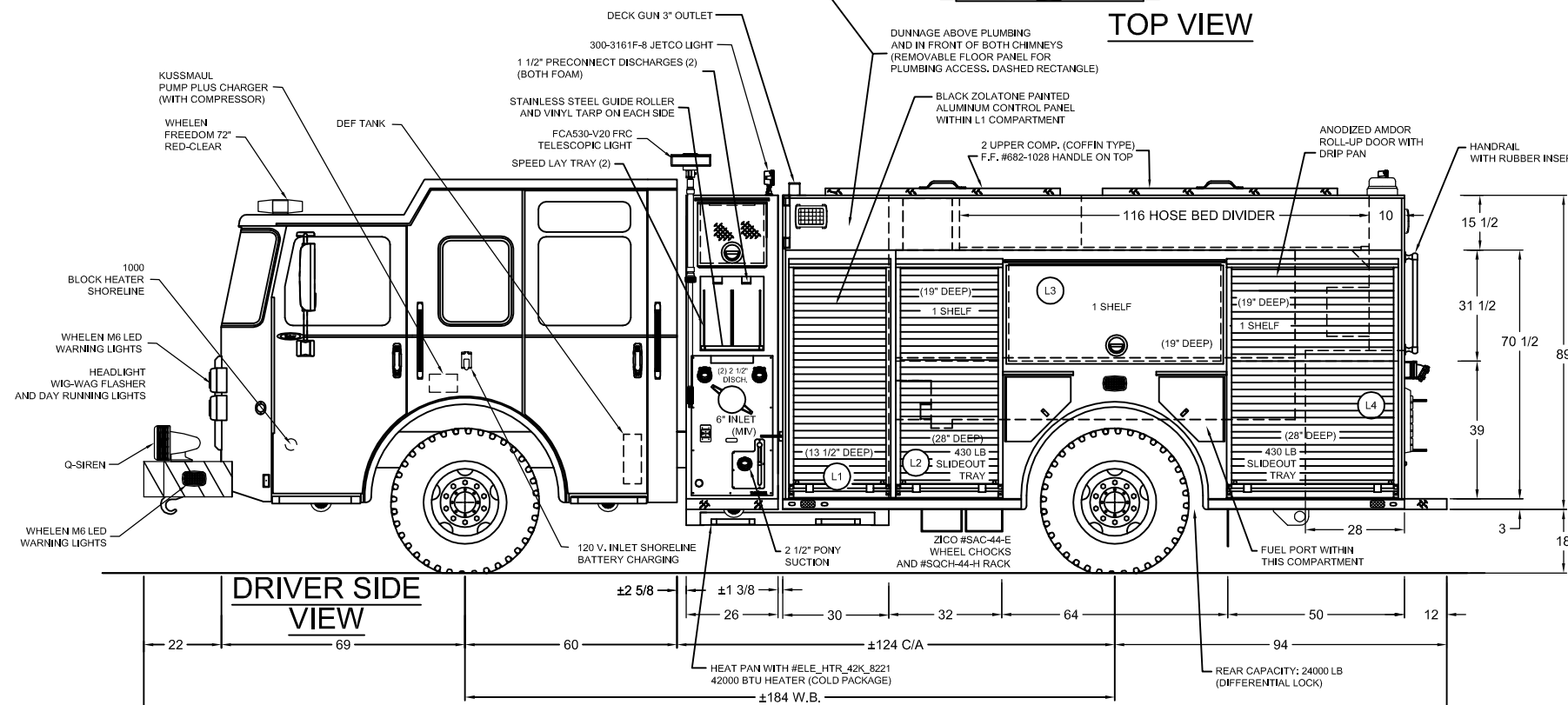
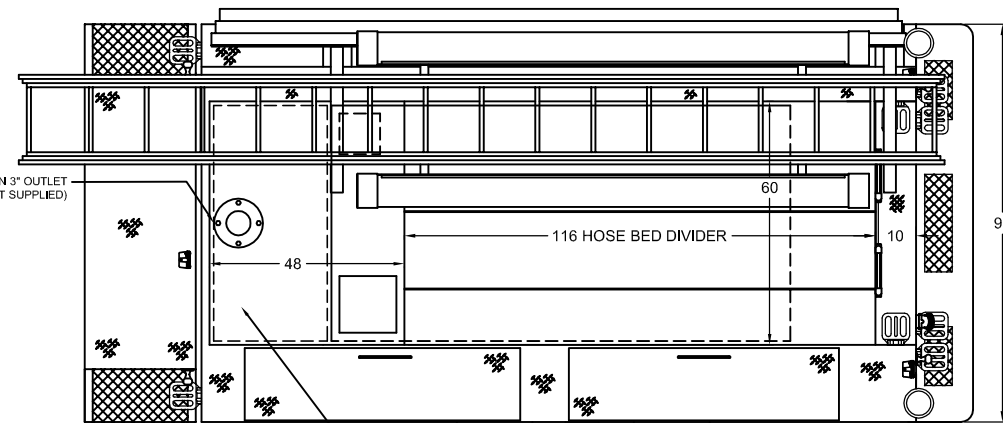
DELUXE MAXISABER SPECS. (ULC/NFPA COMPLIANT)



NOTES: ** LUMBAR LIGHTING ** IN EACH COMPARTMENT

** LUMBAR AY-9220-32-C-0 (1) ** WITHIN PUMP HOUSE (PLUMBING AREA)

ALL COMPARTMENTS INTERIOR: ZOLATONE 20-72 PAINTED (INCLUDING SHELVES AND SLIDEOUT TRAYS)



- CHASSIS:**
- MAXISABER 6010
 - 42000 LB GVWR (18000 FRONT - 24000 REAR)
 - 450 HP CUMMINS ENGINE
 - ALUMINUM WHEELS
 - 22" PAINTED STEEL BUMPER W / CHEVRON
- PUMP:**
- HALE DSD 1500 GPM (SPLIT-SHAFT)
 - 1500 GPM (5678 LITERS)
 - FOAM SYSTEM FOAMPRO 2002
 - NARROW PUMP HOUSE CONFIGURATION
 - 2 SPEEDLAY TRAYS
 - BLACK ZOLATONE CONTROL PANEL WITHIN L1
- PLUMBING : STAINLESS STEEL SCHEDULE 10**
- 2 X 6" INLET (DRIVER SIDE W / ELEC. MIV)
 - 1 X 2.5" PONY SUCTION (DR. SIDE) LIFT-UP VALVE
 - 2 X 2.5" OUTLET (DR. SIDE) MANUAL VALVE
 - 1 X 2.5" OUTLET (OFFICER SIDE) MANUAL VALVE
 - 1 X 3" OUTLET (OFFICER SIDE) MANUAL VALVE
 - 1 X 3" OUTLET (DECK GUN) MANUAL VALVE
- **FOAM** :**
- 1 X 2.5" OUTLET (REAR, DRIVER SIDE) MAN..VALVE
 - 2 X 1.5" SPEEDLAYS, MANUAL VALVE
 - 1 X 1.5" JUMPLINE (FRONT BUMPER) MAN. VALVE
- TANK:**
- COPOLYMER BOOSTER TANK
 - 1000 US GALLONS WATER
 - 30 US GALLONS FOAM
- BODY:**
- DELUXE 1000 HIGH SIDE COMPARTMENT
 - COMPARTMENT INTERIOR: 20-72 ZOLATONE
 - 1 SHELF / COMPARTMENT: 20-72 ZOLATONE
 - 1 SLIDEOUT TRAY / COMP.: 20-72 ZOLATONE
 - MAXI HYDRAULIC RACK
 - 11 SCBA COMPARTMENTS
 - 2 TOP COMPARTMENTS (COFFIN TYPE)
 - PIKE POLE AND ATTIK LADDER COMPARTMENT

EMERGENCY EQUIPMENT ACCESSORIES:

- PEDESTAL SIREN
- LIGHTBAR
- SIREN
- 100W. SPEAKER
- REAR BEACONS (2)
- FLOOD (3)
- WARNING LIGHTS (8)
- PERIMETER LIGHTS (8)
- SCENE LIGHTS (3)
- WIG-WAG
- TRAFFIC LIGHT
- LED LIGHTING (WITHIN COMP.)
- AIR CHARGING PROVISION
- BATTERY CHARGER
- 45' (3) SECTION LADDER
- 24' (2) SECTION LADDER
- 14' ROOF LADDER
- 10' ATTIK LADDER
- (-2) 6" HARD SUCCION
- WHEEL CHOCKS
- ROLL-UP DOORS

MODEL:

- F.S. Q-SIREN
- WHELEN FREEDOM
- WHELEN 295S
- WHELEN SA315P
- WHELEN L31H
- JETCO 300-3161F-8
- WHELEN M6
- T.S. 4060C
- FRC SPA900
- WHELEN UHF2150A
- WHELEN M6
- LUMBAR
- KUSSMAUL
- KUSSMAUL
- DUO SAFETY ***
- DUO SAFETY ***
- DUO SAFETY ***
- DUO SAFETY ***
- DIXON
- ZICO SAC-44-E
- AMDOR

*****NOT SUPPLIED**

COMPARTMENTS:	DIMENSIONS: (W x H x D)
L1	30 x 70.5 x 13.5
L2	32 x 70.5 x 28/19
L3	64 x 31.5 x 19
L4	50 x 70.5 x 28/19
R1	30 x 61 x 28
R2	25 x 61 x 28/19
R3	64 x 22 x 19
R4	39 x 61 x 28/19
A1	41.5 x 41 x 28

AVAILABLE OPTIONS:

- PUMP AND ROLL
- ONSPOT CHAIN SYSTEM

PRELIMINARY LAYOUT DELUXE 1000 (DSD PUMP) MAXI LADDER RACK

ZONE	REV.	DESCRIPTION	DATE	APPROVED
2	1	FINAL VERSION W/CONFIGURATOR	2016-02-02	DB
1	1	PIERCE LOGO, TOP/FRONT VIEWS AND LIGHTING MODIF. MAXI USUAL STD.	2015-11-17	P.T

DRAWN BY: D.BOLDUC	DATE: 2016-02-02	 MAXI-METAL INC. 9345, 25th AVENUE SAINT-GEORGES (QUEBEC) G6A 1L1	 CERTIFIED ISO 9001 : 2008 PHONE NO.: 418 228-8637 1 800 510-8637 FAX NO.: 418 228-0493
CHECKED BY: D.DUFOUR			
NOTE: DIMENSIONS SHOWN ARE APPROXIMATE AND ARE SUBJECT TO MINOR DEVIATIONS AS MAY OCCUR OR BE NECESSARY IN CONSTRUCTION. MINOR DETAILS NOT SHOWN.		TITLE: DELUXE 1000 DSD MAXI LADDER-RACK DRAWING NO.: GENERAL_VIEW_R2 PROJECT: INC1069 SCALE: 1/4" = 1' ANSI	
PROPERTY AND CONFIDENTIALITY: THE INFORMATION IN THIS DRAWING IS CONFIDENTIAL AND PROPERTY OF MAXI-METAL INC. ANY COPY IS PROHIBITED WITHOUT OUR WRITTEN APPROVAL. ©			