

PASSENGER'S SIDE COMPARTMENTS CONTAIN THE FOLLOWING:

COMPARTMENT P1 CONTAINS:

- (1) TRAY, FLOOR MOUNTED, SLIDE-OUT, STD. DEPTH COMPT, 500LB, 2.00' SIDES
- (1) SHELF, ADJUSTABLE, 500 LB CAPACITY, STANDARD DEPTH

COMPARTMENT P2 CONTAINS:

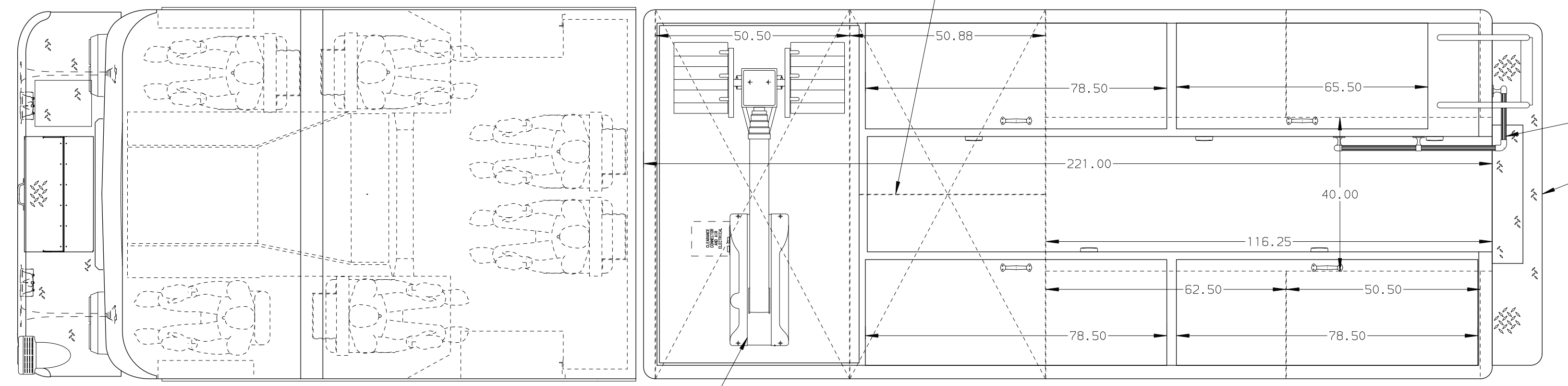
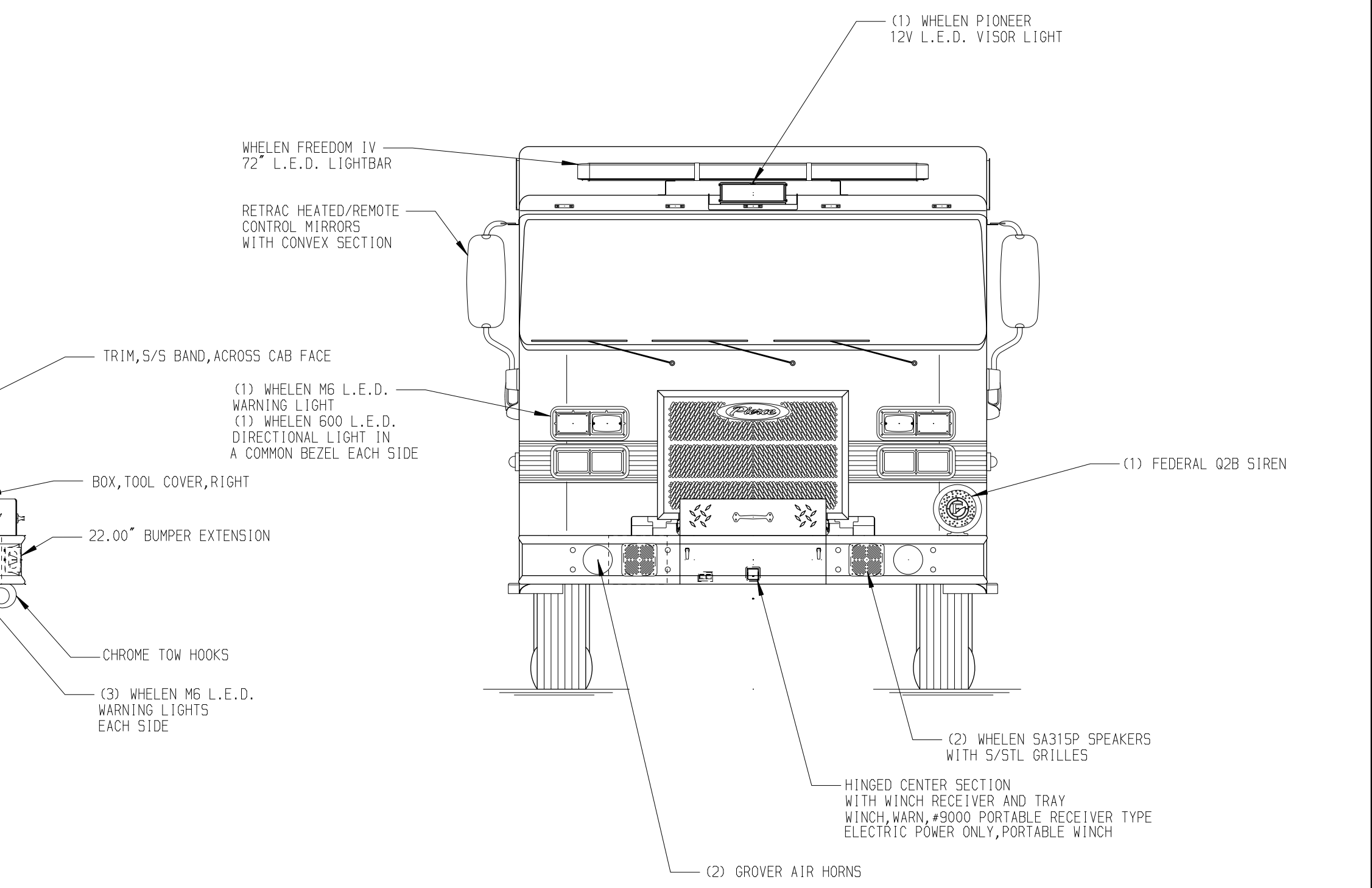
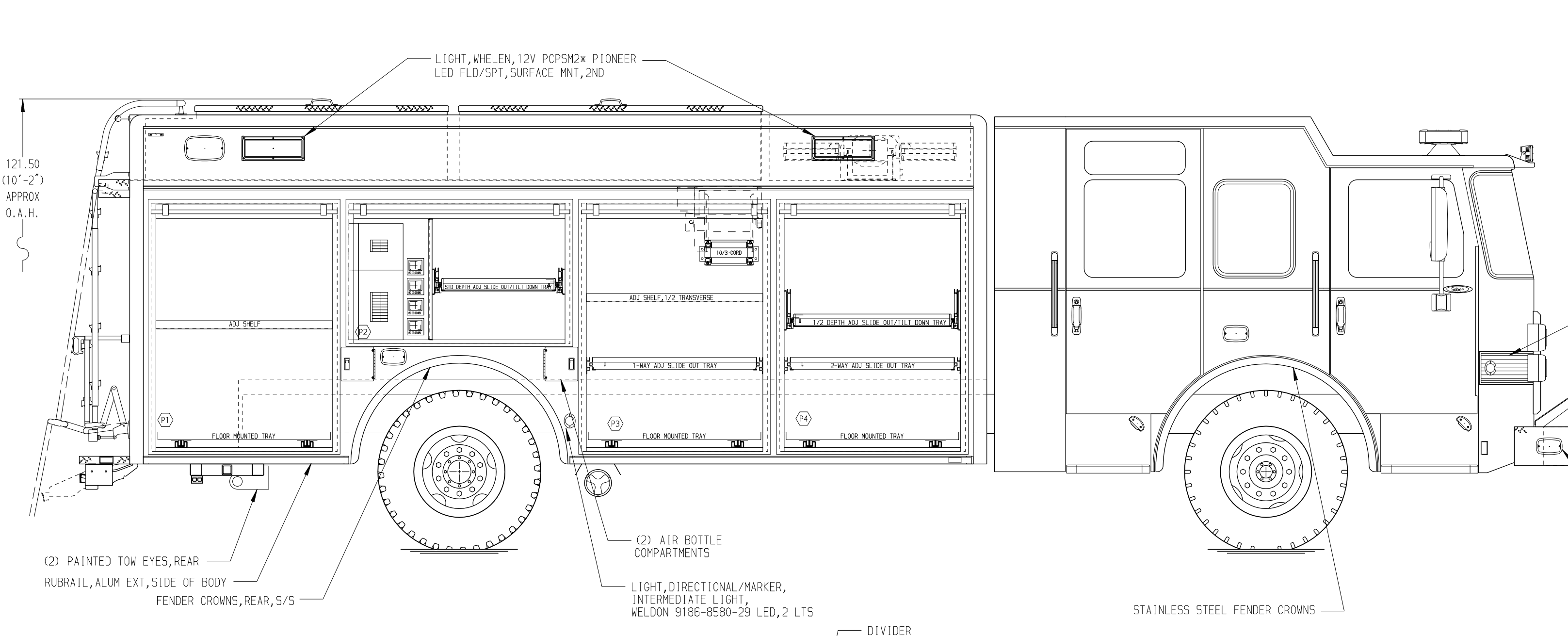
- (1) TRAY, 200 LB, TILT/SLIDE-OUT, 30 DEG, ADJUSTABLE, STD DEPTH COMPT
- (1) VERTICAL COMPARTMENT DIVIDER
- (2) CIRCUIT BREAKER PANELS

COMPARTMENT P3 CONTAINS:

- (1) TRAY, FLOOR MOUNTED, SLIDE-OUT, STD. DEPTH COMPT, 500LB, 2.00' SIDES
- (1) TRAY, 500 LB, SLIDE-OUT, 1-WAY, UTILITY, ADJUSTABLE HEIGHT, 1/2 TRANSVERSE
- (1) ELECTRIC CORD REEL WITH 200' OF 10/3 YELLOW CORD

COMPARTMENT P4 CONTAINS:

- (1) TRAY, FLOOR MOUNTED, SLIDE-OUT, STD. DEPTH COMPT, 500LB, 2.00' SIDES
- (1) TRAY, 200 LB, TILT/SLIDE-OUT, 30 DEG, ADJUSTABLE, 1/2 TRANSVERSE
- (1) TRAY, 500 LB, SLIDE-OUT, 2-WAY, UTILITY, ADJUSTABLE HEIGHT, FULL TRANSVERSE



REAR COMPARTMENT CONTAINS THE FOLLOWING:

COMPARTMENT R1 CONTAINS:

- (1) TRAY, FLOOR MOUNTED, SLIDE-OUT, STD. DEPTH COMPT, 500LB, 2.00' SIDES
- (1) TRAY, 500 LB, SLIDE-OUT, 1-WAY, UTILITY, ADJUSTABLE HEIGHT, 110" DEEP
- (1) RACK, STOKES/STRETCHER BASKET, HORIZONTAL TROUGH

DRIVER'S SIDE COMPARTMENTS CONTAIN THE FOLLOWING:

COMPARTMENT D1 CONTAINS:

- (2) TOOLBOARDS, SLIDE-OUT, ALUM, 188", PEG BOARD, STD. DEPTH

COMPARTMENT D2 CONTAINS:

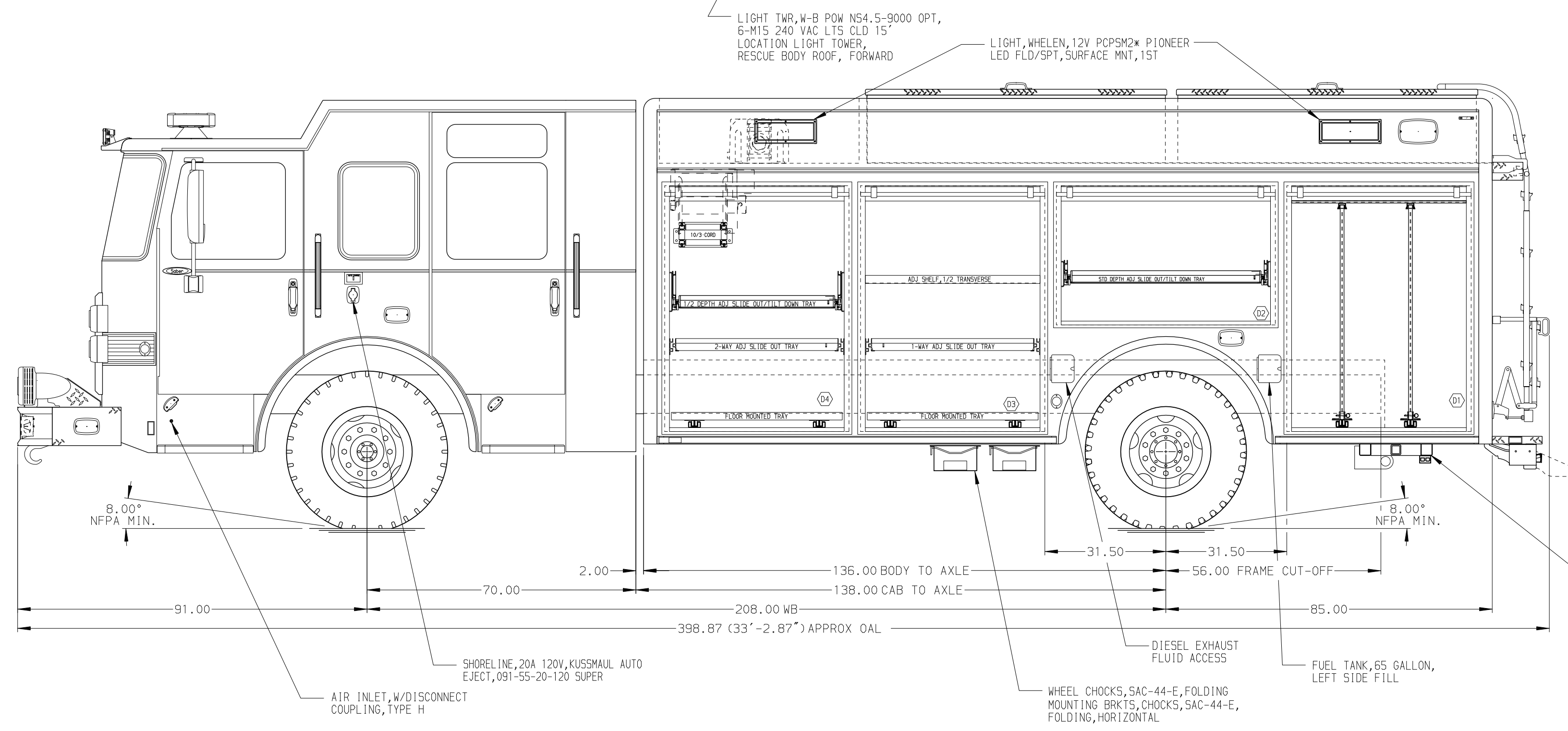
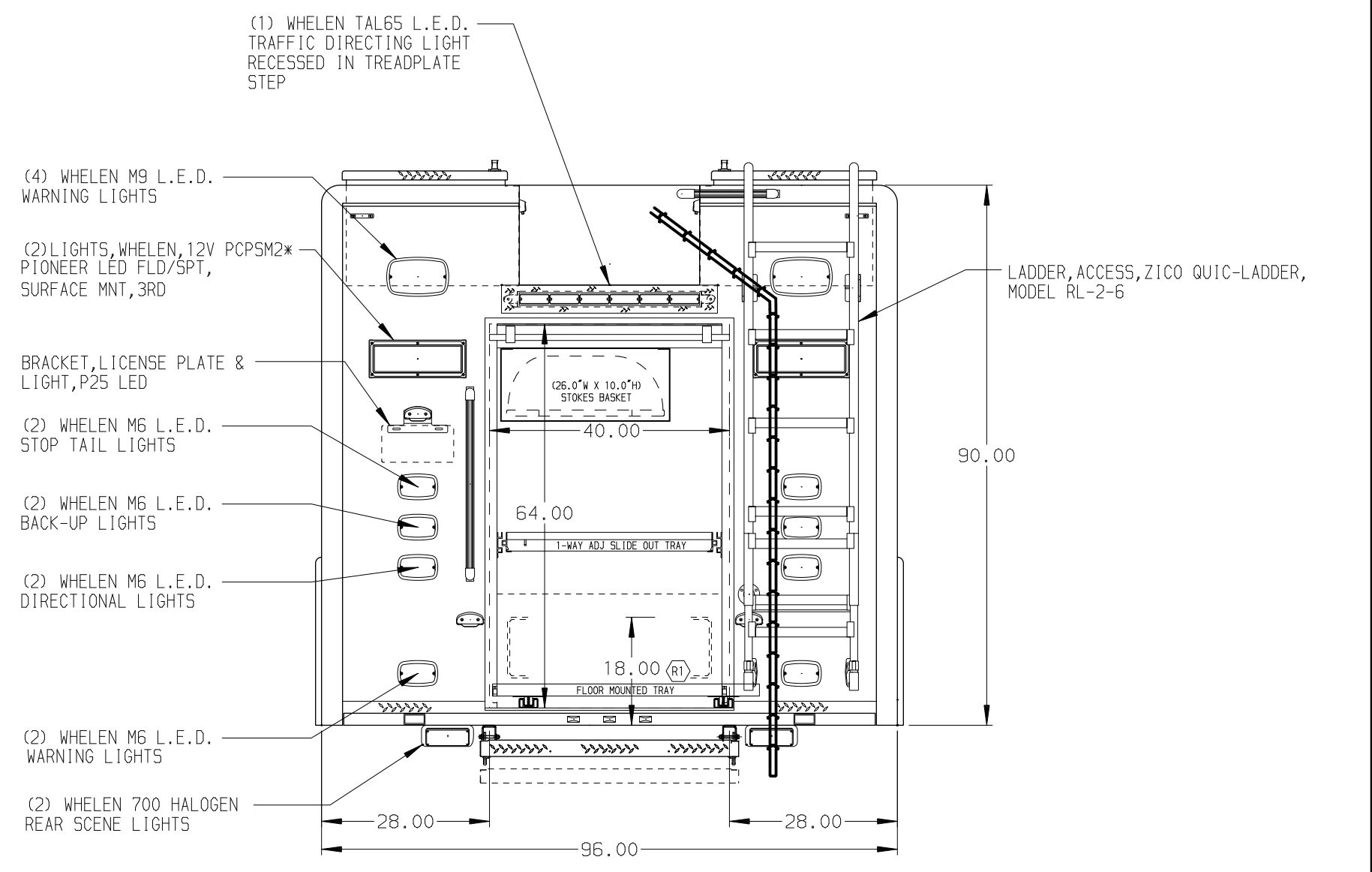
- (1) TRAY, 200 LB, TILT/SLIDE-OUT, 30 DEG,

COMPARTMENT D3 CONTAINS:

- (1) TRAY, FLOOR MOUNTED, SLIDE-OUT, STD. DEPTH COMPT, 500LB, 2.00' SIDES
- (1) TRAY, 500 LB, SLIDE-OUT, 1-WAY, UTILITY, ADJUSTABLE HEIGHT, 1/2 TRANSVERSE

COMPARTMENT D4 CONTAINS:

- (1) TRAY, FLOOR MOUNTED, SLIDE-OUT, STD. DEPTH COMPT, 500LB, 2.00' SIDES
- (1) TRAY, 200 LB, TILT/SLIDE-OUT, 30 DEG, ADJUSTABLE, 1/2 TRANSVERSE
- (1) TRAY, 500 LB, SLIDE-OUT, 2-WAY, UTILITY, ADJUSTABLE HEIGHT, FULL TRANSVERSE
- (1) ELECTRIC CORD REEL WITH 200' OF 10/3 YELLOW CORD



NOTE
DIMENSIONS SHOWN ARE APPROXIMATE AND ARE SUBJECT TO MINOR DEVIATIONS AS MAY OCCUR OR BE NECESSARY IN CONSTRUCTION. MINOR DETAILS NOT SHOWN.

CUSTOMER APPROVAL			
APPROVED BY: _____			
DATE: _____			
13JUL16	JAF	RW1	SBFR7010
REV	DATE	BY	CH

		JOB NO.	30391
TITILE		SCALE	DATE
HEAVY DUTY RESCUE, 18.50' BODY NON-WALKIN		1:24	
FOR		DRAWN BY	22JUN16
PIERCE STOCK		CHECKED BY	22JUN16
DWG NO.		SHEET SIZE	SHEET NO.
30391AD		D	1 OF 1