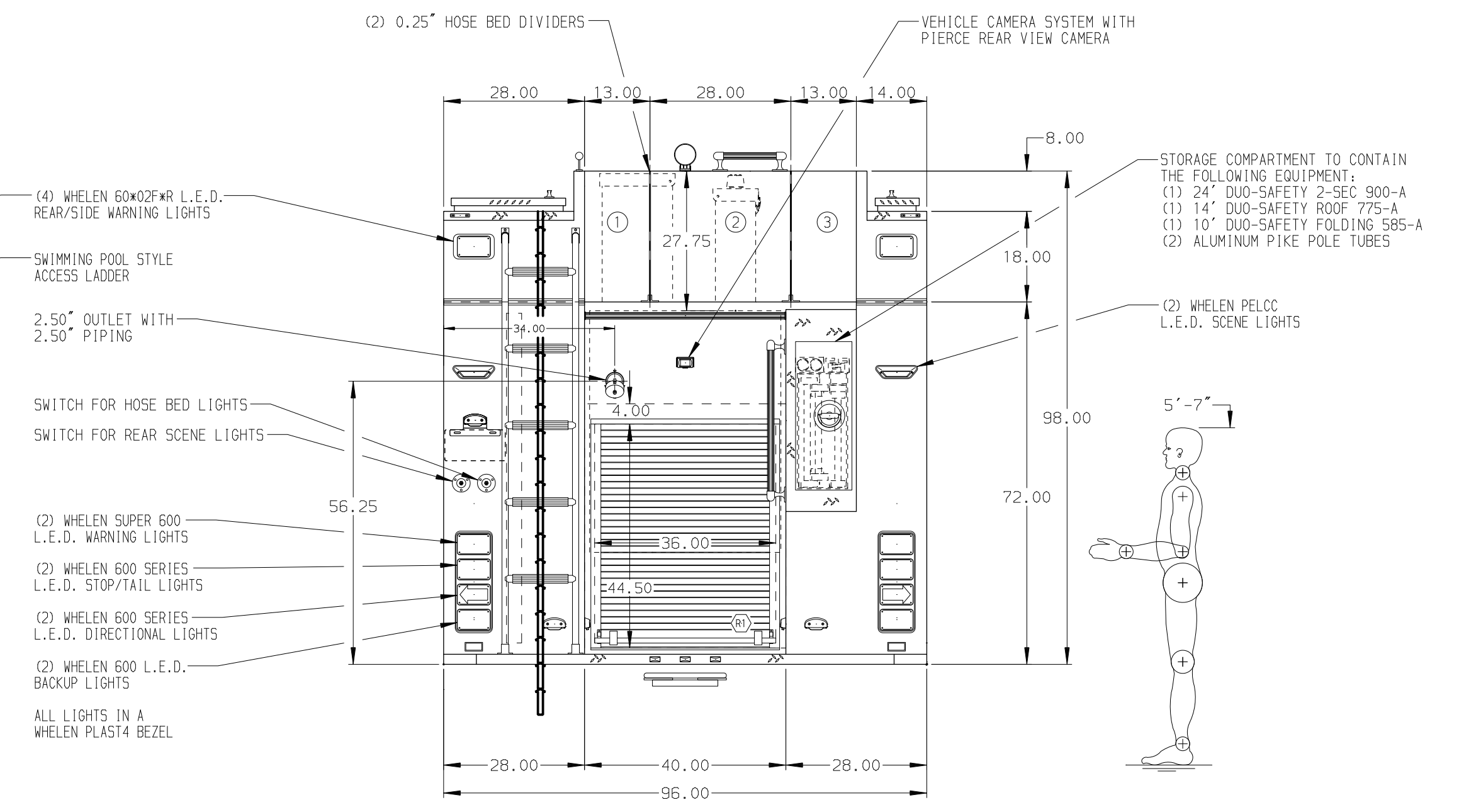
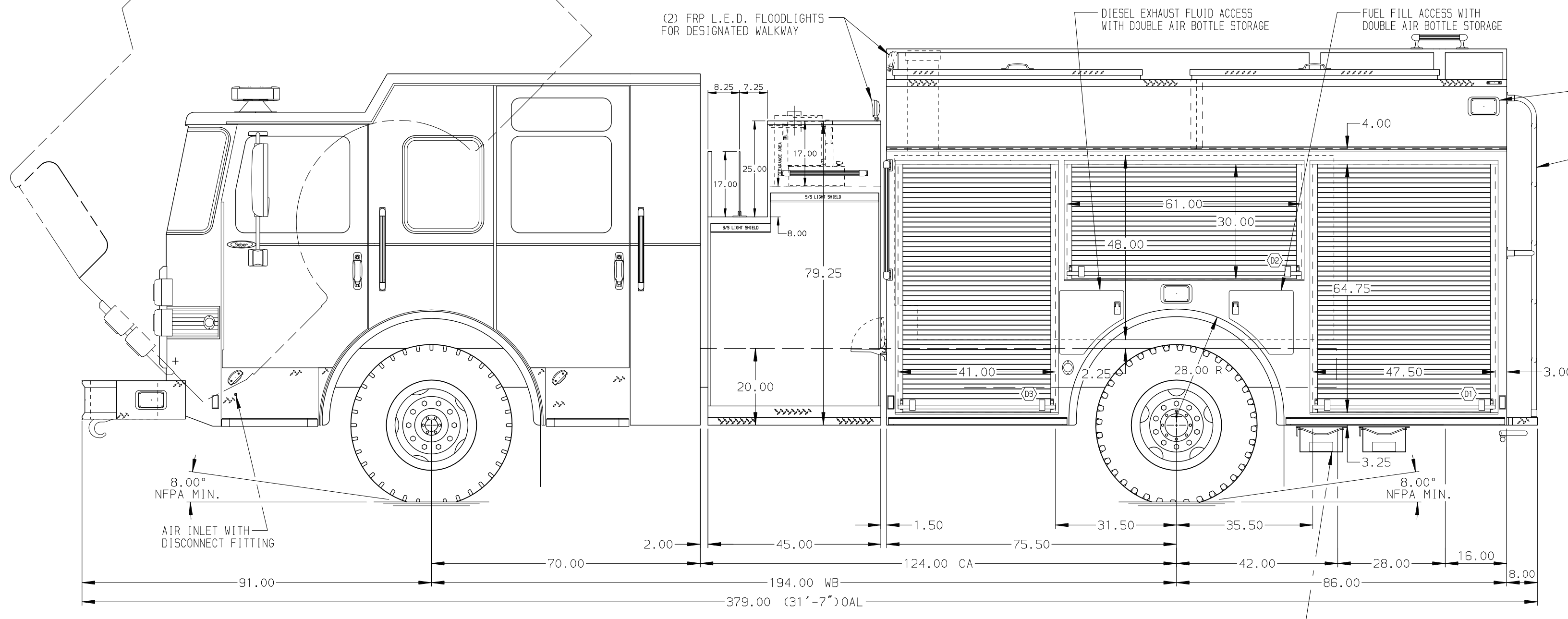


- HOSEBED CAPACITIES
- ① 500' OF 3.00" D.J. POLY HOSE
 - ② 1000' OF 5.00" D.J. POLY HOSE
 - ③ 500' OF 3.00" D.J. POLY HOSE



ALUMINUM BODY

NOTE
 DIMENSIONS SHOWN ARE APPROXIMATE AND ARE SUBJECT TO MINOR DEVIATIONS AS MAY OCCUR OR BE NECESSARY IN CONSTRUCTION. MINOR DETAILS NOT SHOWN.

						JOB NO.	30343
						SCALE	DATE
						1:24	
						DRAWN BY	20MAY16
						TES	
						CHECKED BY	24MAY16
						KBO	
						SHEET SIZE	SHEET NO.
						D	1 OF 1
CHASSIS DATA	TITLE	1500-D-750 W/20 GAL. FOAM CELL, 161" BODY, DELUGE CROSSLAYS, LADDERS BETWEEN TANK AND BODY					
MAKE	FOR	PIERCE FIELD UNIT APPLETON, WI					
MODEL	DWG NO.	30343AD					
REV	DATE	BY	CH	SABER FR			
12JUL16		RWI	CAG				